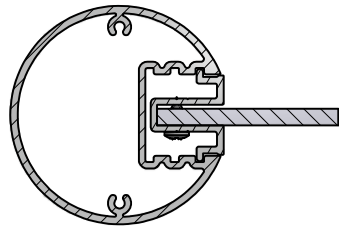


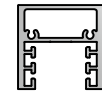
PARTS LIST			
ITEM	PART #	DESCRIPTION	NOTES
1		Architectural 2, 3 or 4 Post	Assembly
2	1202	Series 2/3/4 1/4" Panel Adaptor	Assembly
3		Series 2, 3 or 4 Post Cap - Zero Reveal	
41	5040	Post Cap Screw	#10 x 1/2" sq/phillips countersink



CROSS-SECTION VIEW

POST OPTIONS

Series 2

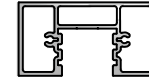


Part#1100

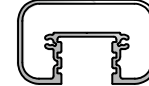
Series 3



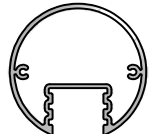
Part# 1210



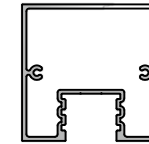
Part# 1220



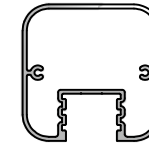
Part# 1230



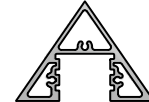
Part# 1237



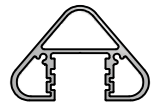
Part# 1233



Part# 1235

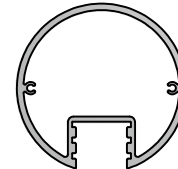


Part# 1240

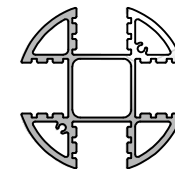


Part# 1250

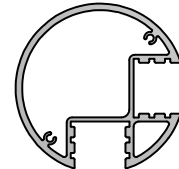
Series 4



Part# 1337



Part# 1338



Part# 1339

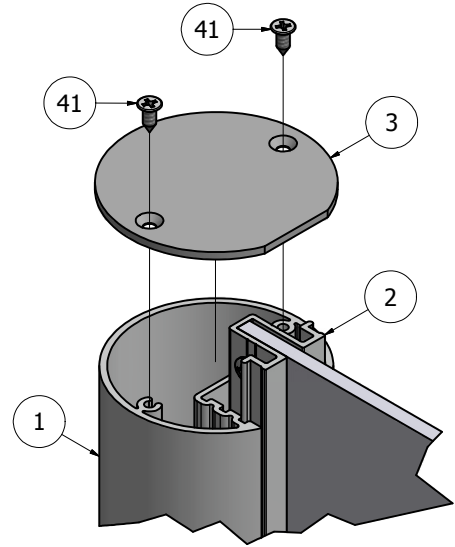
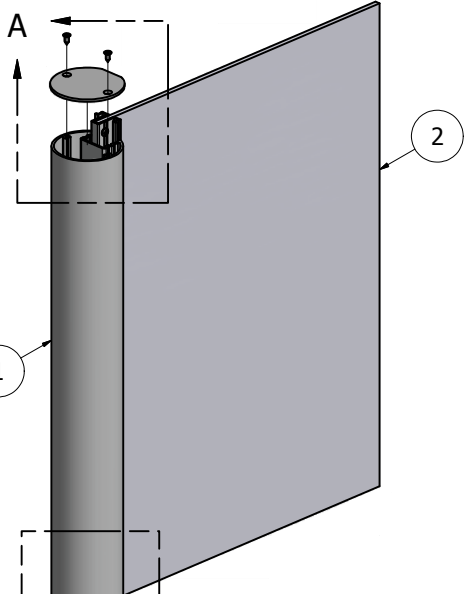
**NOTE: PRE-CUT KITS ARE NOT PRE-DRILLED.**

(Holes shown in this drawing are for reference only. Drilling of pilot holes are to be done by fabricator.)

THIS DRAWING WAS CREATED AT NO CHARGE TO ASSIST YOU IN VISUALIZING OUR PROPOSAL. THE DRAWING HEREIN IS THE PROPERTY OF SIGNCOMP. PERMISSION TO COPY OR REVISE THIS DRAWING OR TO USE THIS DRAWING FOR PRODUCTION IS STRICTLY PROHIBITED AND CAN ONLY BE COPIED, REVISED OR USED FOR PRODUCTION WITH THE EXPRESSED WRITTEN PERMISSION OF SIGNCOMP.

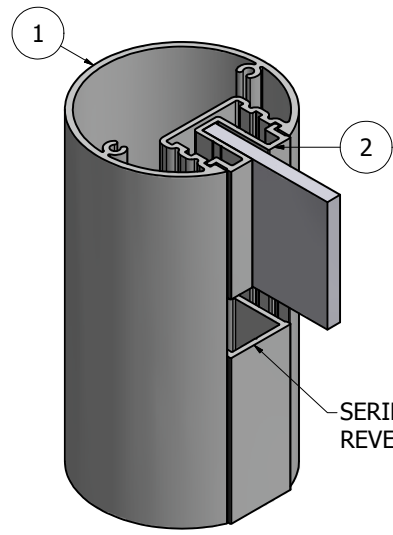
DRAWING BY:	SBreihof	1/14/2014
Centroid X:	0.000 in	
Centroid Y:	0.000 in	
Principal Moments Ix:	0.000 in^4	
Principal Moments Iy:	0.000 in^4	
Section Modulus Ix:	0.000 in^3	
Section Modulus Iy:	0.000 in^3	

<h1>SignComp</h1>		TITLE
		Series 2/3/4 1/4" Panel Adaptor - Post Assembly
PART NO	<b>K1202 - POST</b>	REV
SHEET 1 OF 1		

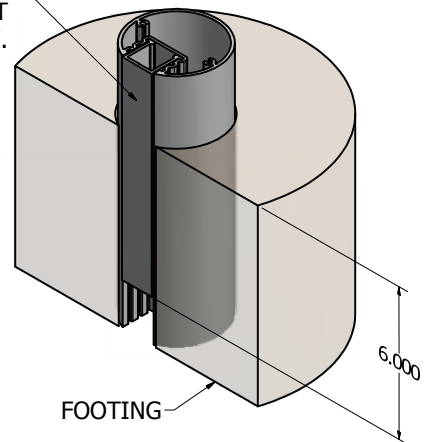


DETAIL A

SERIES 2/3/4 REVEAL/POST FILLER IS CUT TO FIT 6" BELOW THE GRADE.



DETAIL B



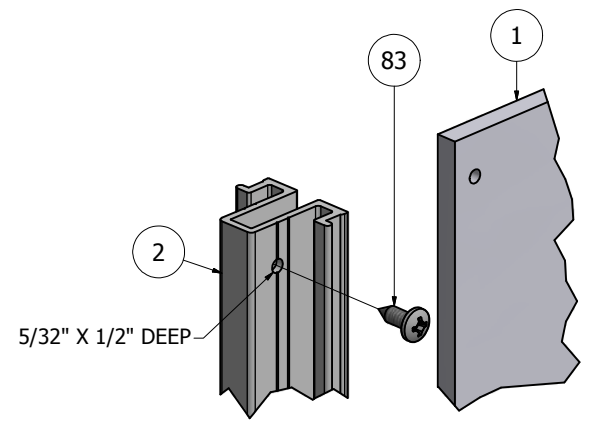
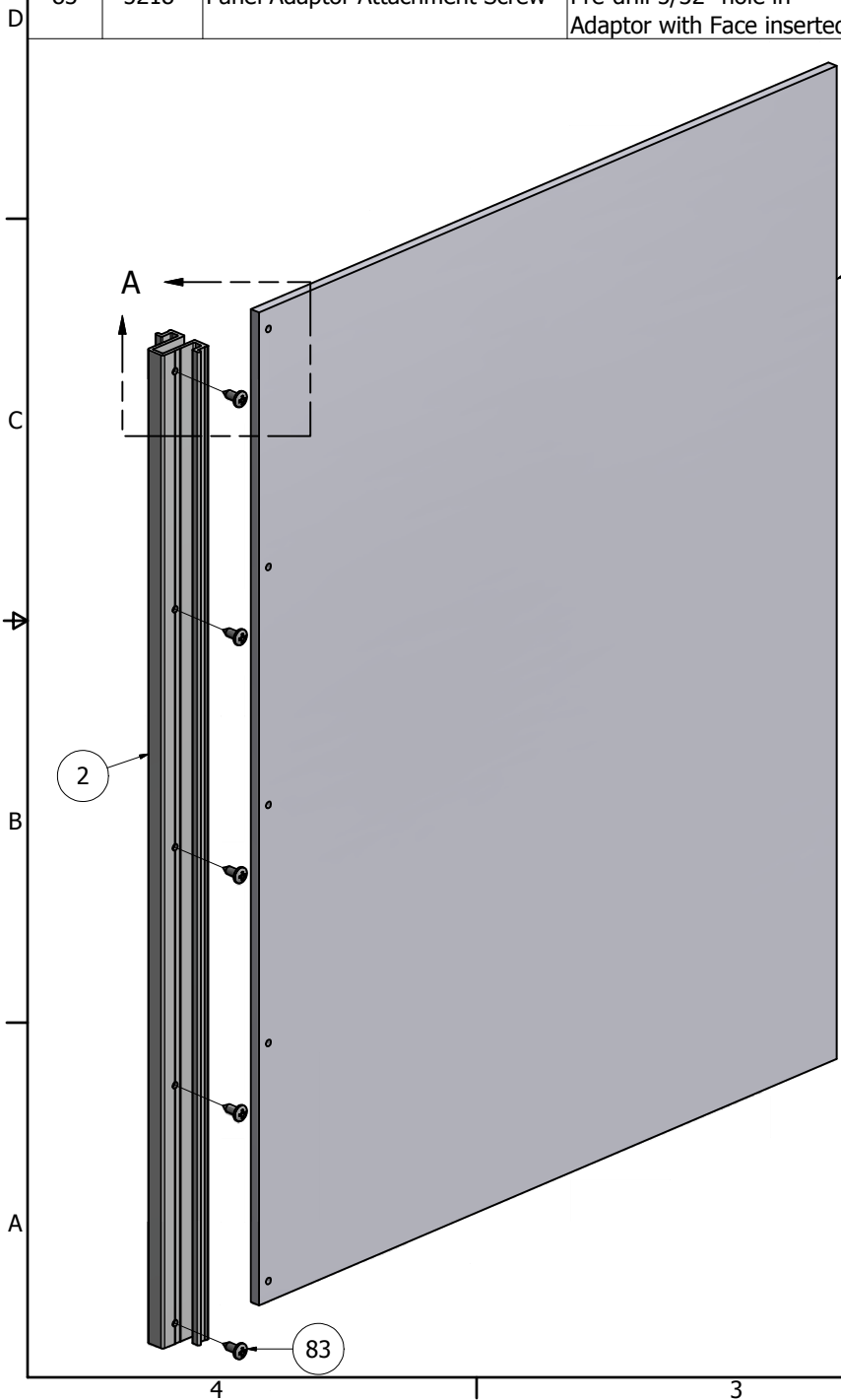
FOOTING

SERIES 2/3/4 REVEAL/POST FILLER

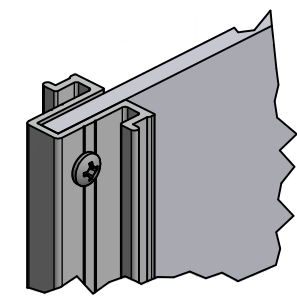
Ship To:  
Sales Order#

PARTS LIST			
ITEM	PART#	DESCRIPTION	NOTES
1		1/4" Face Material	By Other
2	1202	Series 2/3/4 1/4" Panel Adaptor	
83	5218	Panel Adaptor Attachment Screw	Pre-drill 5/32" hole in Adaptor with Face inserted

Ship To:  
Sales Order#

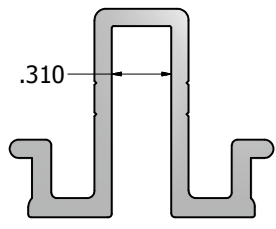


DETAIL A  
UNASSEMBLED



DETAIL A  
ASSEMBLED

**NOTE: PRE-CUT KITS ARE NOT PRE-DRILLED.**  
(Holes shown in this drawing are for reference only.  
Drilling of pilot holes are to be done by fabricator.)

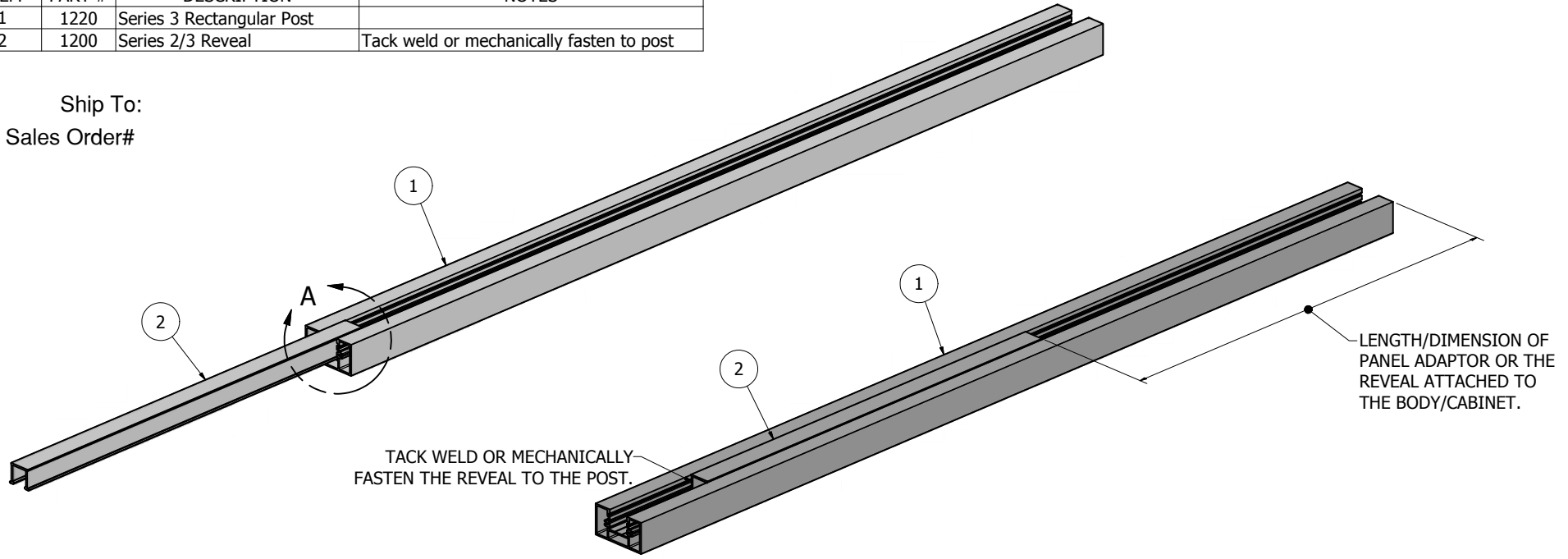


PROFILE VIEW  
SCALE 2:1

THIS DRAWING WAS CREATED AT NO CHARGE TO ASSIST YOU IN VISUALIZING OUR PROPOSAL. THE DRAWING HEREIN IS THE PROPERTY OF SIGNCOMP. PERMISSION TO COPY OR REVISE THIS DRAWING OR TO USE THIS DRAWING FOR PRODUCTION IS STRICTLY PROHIBITED AND CAN ONLY BE COPIED, REVISED OR USED FOR PRODUCTION WITH THE EXPRESSED WRITTEN PERMISSION OF SIGNCOMP.			
DRAWING BY:	SBreihof	1/15/2014	<b>SignComp</b>
Centroid X:	0.000 in		
Centroid Y:	0.000 in		TITLE
Principal Moments Ix:	0.000 in <sup>4</sup>		Series 2/3/4 1/4" Panel Adaptor - Assembly
Principal Moments Iy:	0.000 in <sup>4</sup>		PART NO
Section Modulus Ix:	0.000 in <sup>3</sup>		<b>1202 - FACE</b>
Section Modulus Iy:	0.000 in <sup>3</sup>		REV
			SHEET 1 OF 1

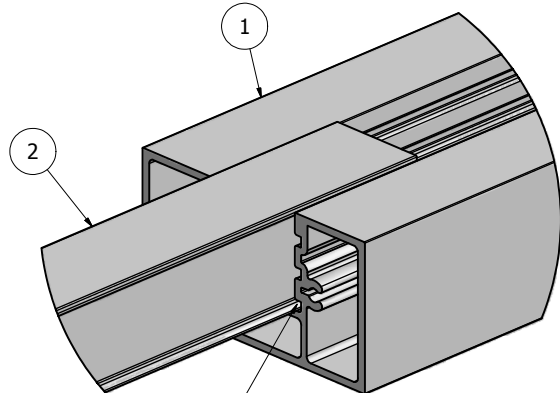
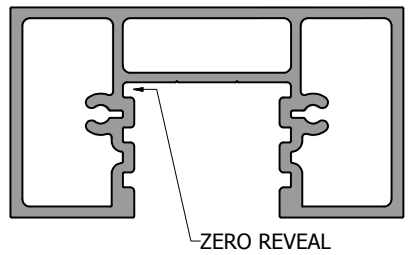
Parts List			
ITEM	PART #	DESCRIPTION	NOTES
1	1220	Series 3 Rectangular Post	
2	1200	Series 2/3 Reveal	Tack weld or mechanically fasten to post

Ship To:  
Sales Order#



TACK WELD OR MECHANICALLY FASTEN THE REVEAL TO THE POST.

LENGTH/DIMENSION OF PANEL ADAPTOR OR THE REVEAL ATTACHED TO THE BODY/CABINET.



DETAIL A

INSERT THE REVEAL/FILLER INTO THE ZERO REVEAL POSITION, THEN SLIDE IT INTO THE POST.

**NOTE: PRE-CUT KITS ARE NOT PRE-DRILLED.**  
(Holes shown in this drawing are for reference only. Drilling of pilot holes are to be done by fabricator.)

THIS DRAWING WAS CREATED AT NO CHARGE TO ASSIST YOU IN VISUALIZING OUR PROPOSAL. THE DRAWING HEREIN IS THE PROPERTY OF SIGNCOMP. PERMISSION TO COPY OR REVISE THIS DRAWING OR TO USE THIS DRAWING FOR PRODUCTION IS STRICTLY PROHIBITED AND CAN ONLY BE COPIED, REVISED OR USED FOR PRODUCTION WITH THE EXPRESSED WRITTEN PERMISSION OF SIGNCOMP.

DRAWN	Steve	4/5/2010	<b>SignComp</b>	
CHECKED				
QA			TITLE	
MFG			Series 3, 3-1/4" Rectangular Post - Series 2/3 Reveal - Assembly	
APPROVED			SIZE	DWG NO
			C	1220-00
			SCALE	SHEET 1 OF 1